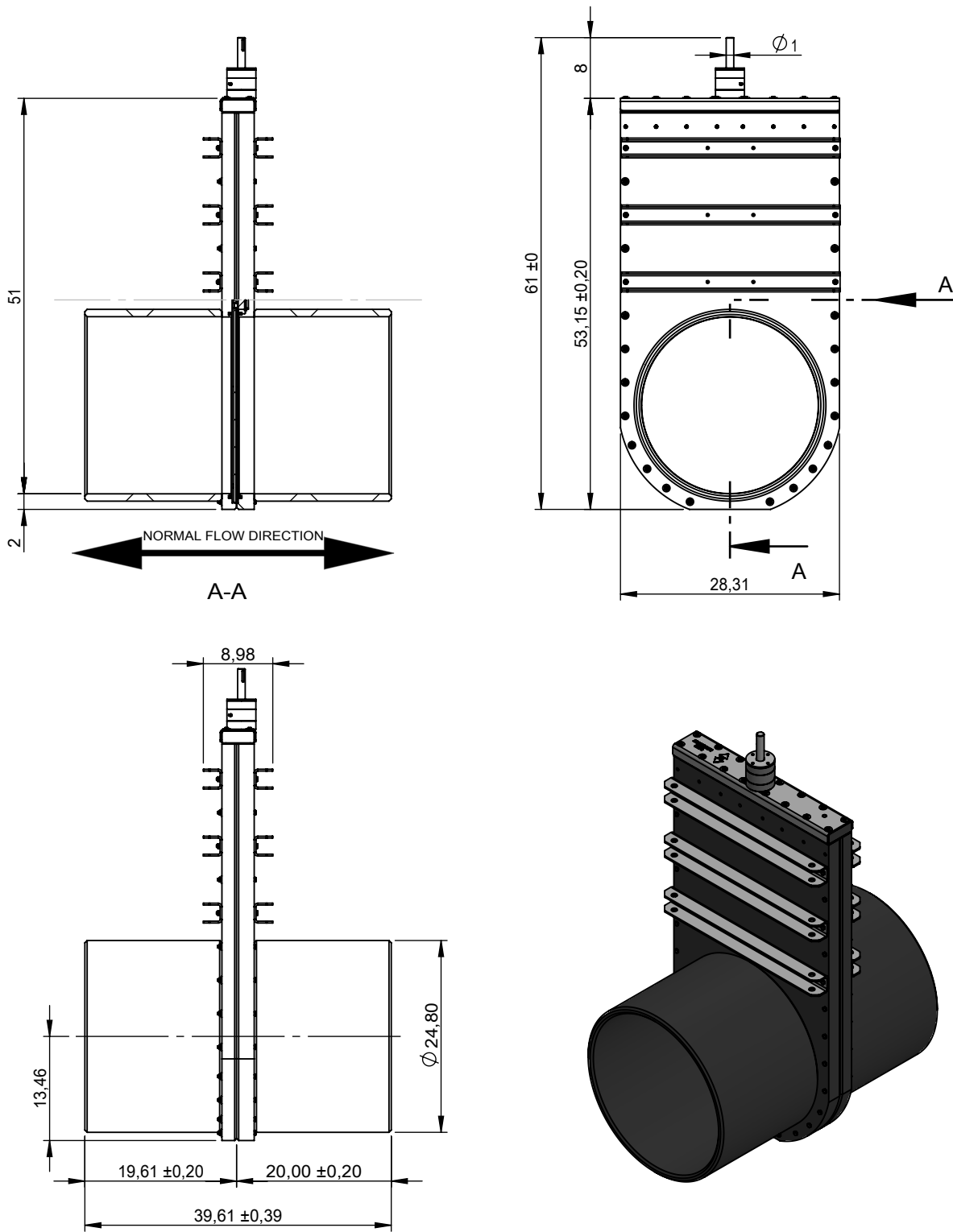
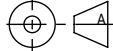



© 2022 Wapro AB. This document is subject to copyrights owned by Wapro AB. Any amendments, republication, retransmission, and/or reproduction of all or any part of the document is expressly prohibited, unless the copyright owner of the material has expressly granted its prior written consent. All other rights are reserved.



Designed By RI	Approved By	Created Date 2021-06-21	Units [inch]	General Tolerance	Scale 1:20		
Material			Comment			Updated 03-10-2024	
Weight [Lbs]		Box Volume [ft <sup>3</sup> ]	Description WaGate Gate valve RVM-TG NPS/OD 25" AISI 316				
 <a href="http://www.wapro.com">www.wapro.com</a>			Article Number V 71074630	Drawing Number 041901	Rev	Sheet 1 (1)	