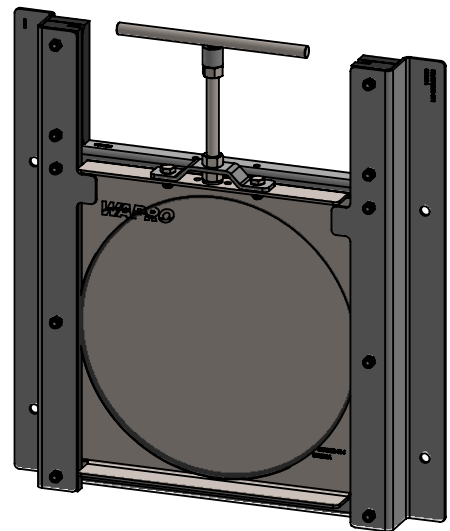
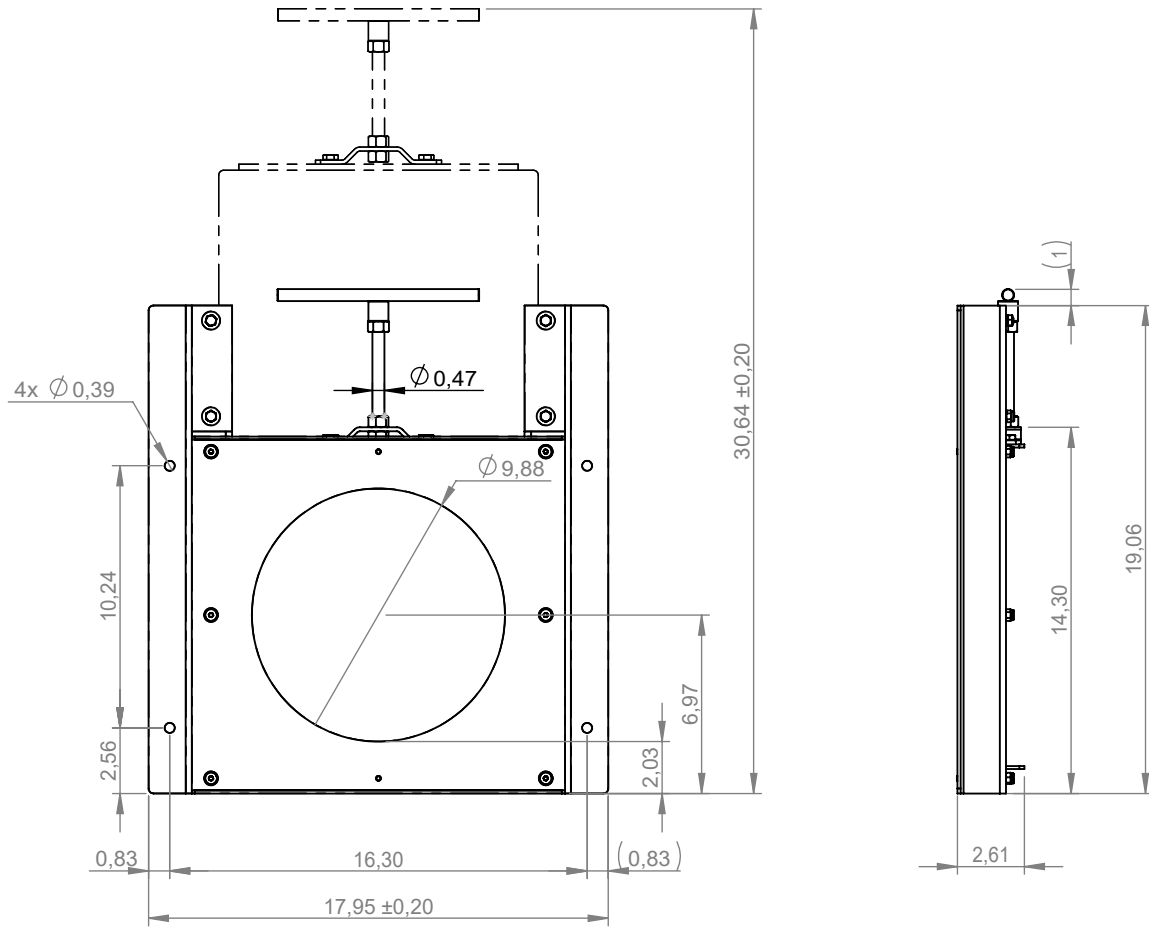


© 2022 Wapro AB. This document is subject to copyrights owned by Wapro AB. Any amendments, republication, retransmission, and/or reproduction of all or any part of the document is expressly prohibited, unless the copyright owner of the material has expressly granted its prior written consent. All other rights are reserved.



Designed By RE	Approved By BL	Created Date 2021-12-16	Units [inch]	General Tolerance	Scale 1:7.5		
Material			Comment			Updated 08-10-2024	
Weight [Lbs] 21		Box Volume [ft³]	Description WaGate Sluice gate SPS-TL DN 10" AISI 316 WaGate Sluice gate SPS-TL DN 250 AISI 316				
 www.wapro.com			Article Number V26076250	Drawing Number sps-tl Ø10 us	Rev	Sheet 1 (1)	