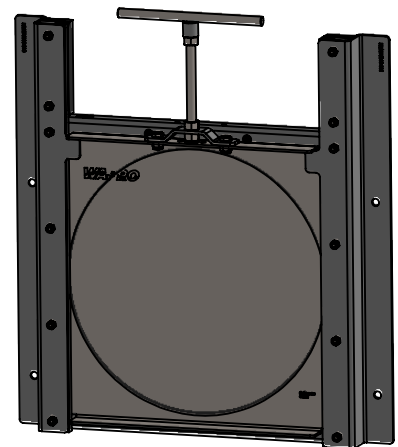
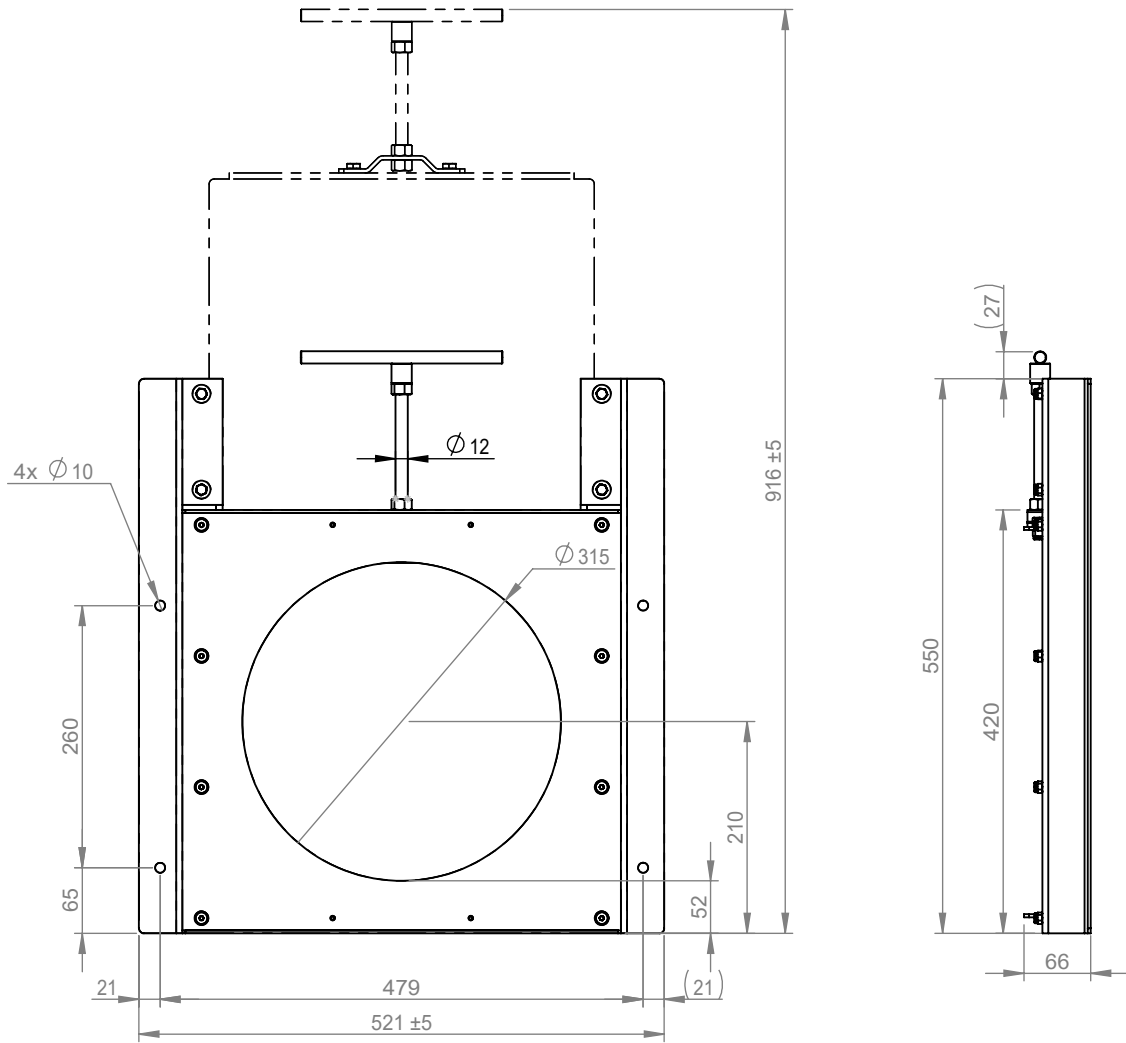


© 2021 Wapro AB. This document is subject to copyrights owned by Wapro AB. Any amendments, republication, retransmission, and/or reproduction of all or any part of the document is expressly prohibited, unless the copyright owner of the material has expressly granted its prior written consent. All other rights are reserved.



Designed By <b>RE</b>	Approved By <b>LL</b>	Created Date <b>2022-01-14</b>	Units [mm]	General Tolerance	Scale 1:10	
Material		Comment <b>PN100444</b>			Updated <b>10-10-2024</b>	
Weight [kg] <b>11.96</b>		Box Volume [m³]				
 <a href="http://www.wapro.com">www.wapro.com</a>		Description <b>WaGate Spjæld SPS-TL DN 315 AISI 316</b>				
		Description <b>WaGate Sluice gate SPS-TL DN 315 AISI 316</b>				
Article Number			Drawing Number <b>sps-tl Ø315_en</b>		Rev	Sheet <b>1 (1)</b>