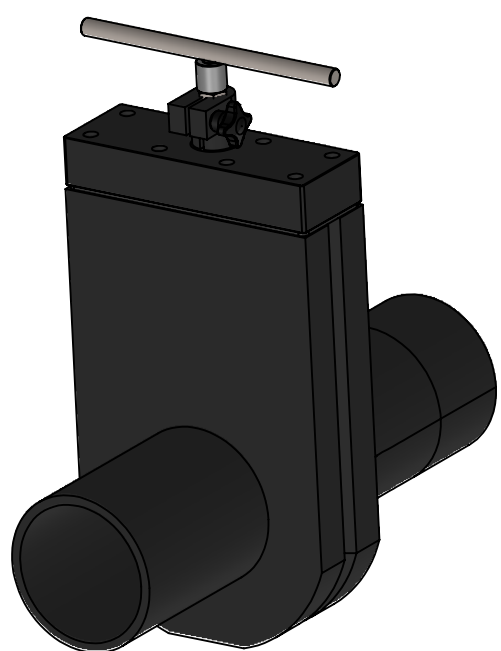
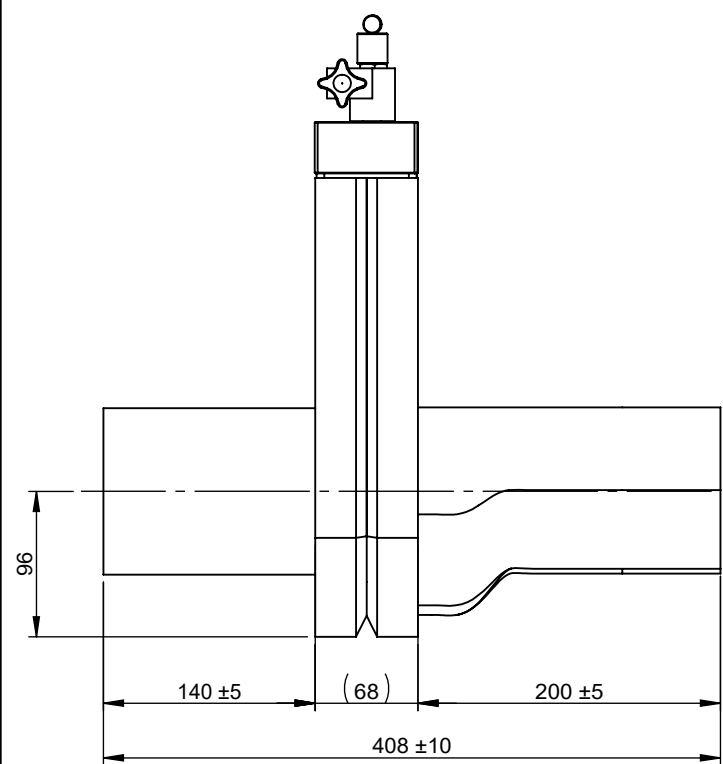


← NORMAL FLOW DIRECTION

A-A



© 2021 Wapro AB. This document is subject to copyrights owned by Wapro AB. Any amendments, republication, retransmission, and/or reproduction of all or any part of the document is expressly prohibited, unless the copyright owner of the material has expressly granted its prior written consent. All other rights are reserved.

Designed By MS	Approved By	Created Date 2022-08-30	Units [mm]	General Tolerance	Scale 1:5	
Material		Comment			Updated 14-10-2024	
Weight [kg] 4.78		Box Volume [m³]		Description WaGate Afspærringsventil SVL DN/OD 110 AISI 316 WaGate Gate Valve SVL DN/OD 110 AISI 316		
 www.wapro.com			Article Number V13076110	Drawing Number SVL Ø110_EN	Rev B	Sheet 1 (1)