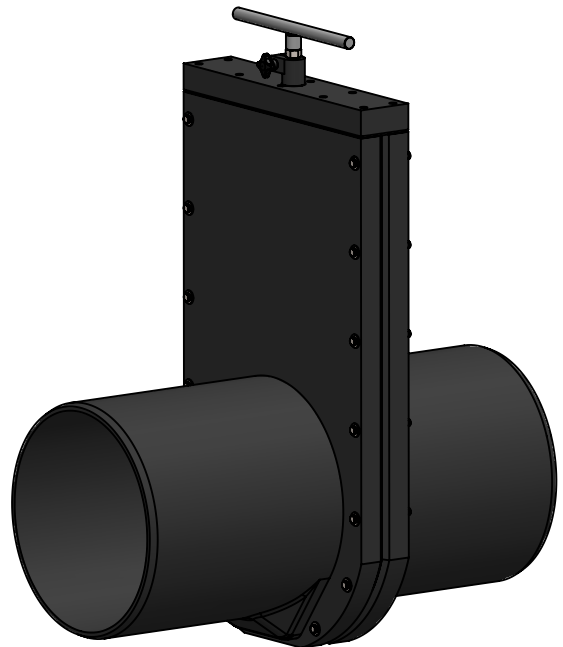
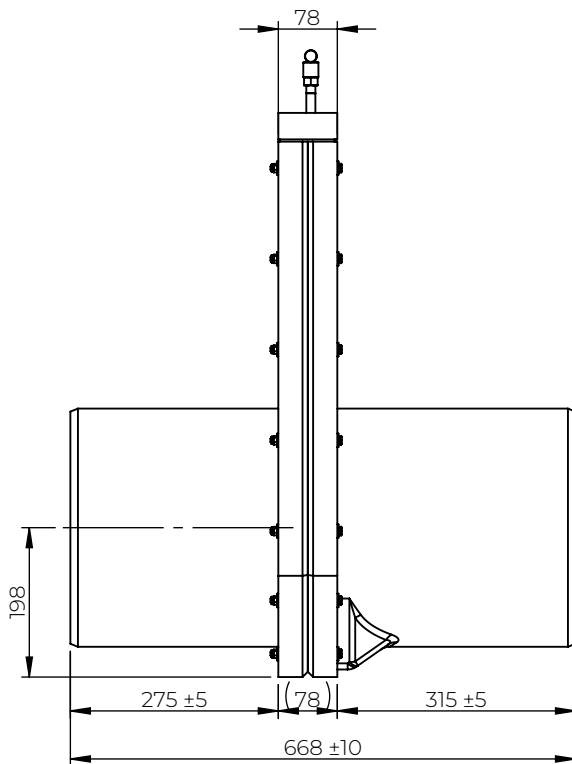
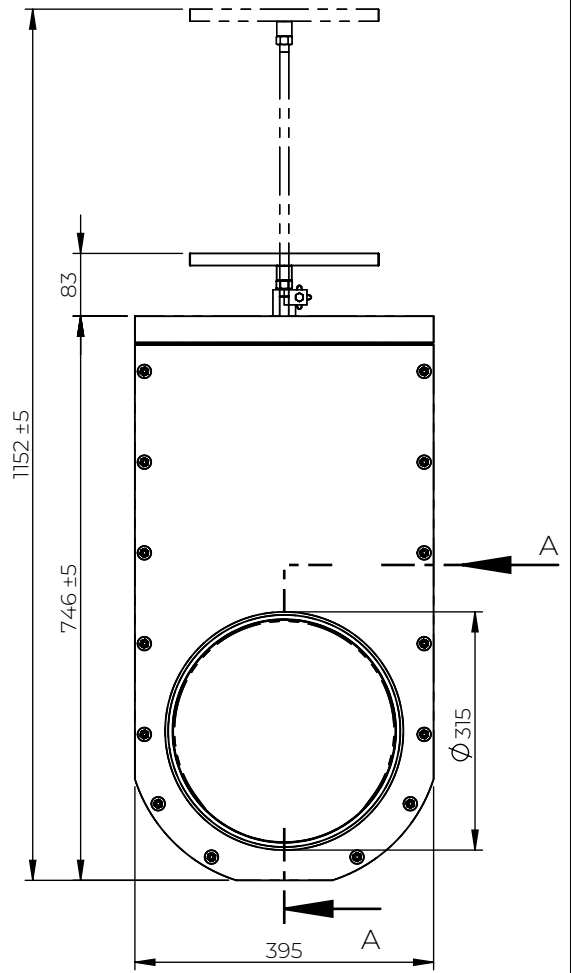
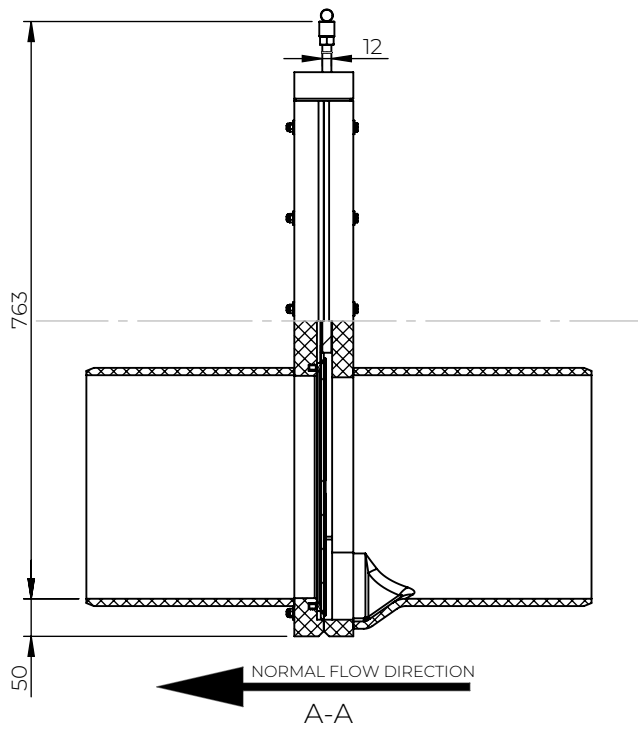


© 2021 Wapro AB. This document is subject to copyrights owned by Wapro AB. Any amendments, republication, retransmission, and/or reproduction of all or any part of the document is expressly prohibited, unless the copyright owner of the material has expressly granted its prior written consent. All other rights are reserved.



Designed By R1	Approved By BL	Created Date 2024-02-27	Units [mm]	General Tolerance	Scale 1:10	
Material			Comment			Updated 31-10-2024
Weight [kg] 22.52		Box Volume [m³]	Description WaGate Afspærringsventil SVL DN/OD 315 AISI 316 WaGate Gate valve SVL NPS/OD 12" AISI 316			
 www.wapro.com			Article Number V13076315	Drawing Number SVL Ø315_EN	Rev A	Sheet 1 (1)