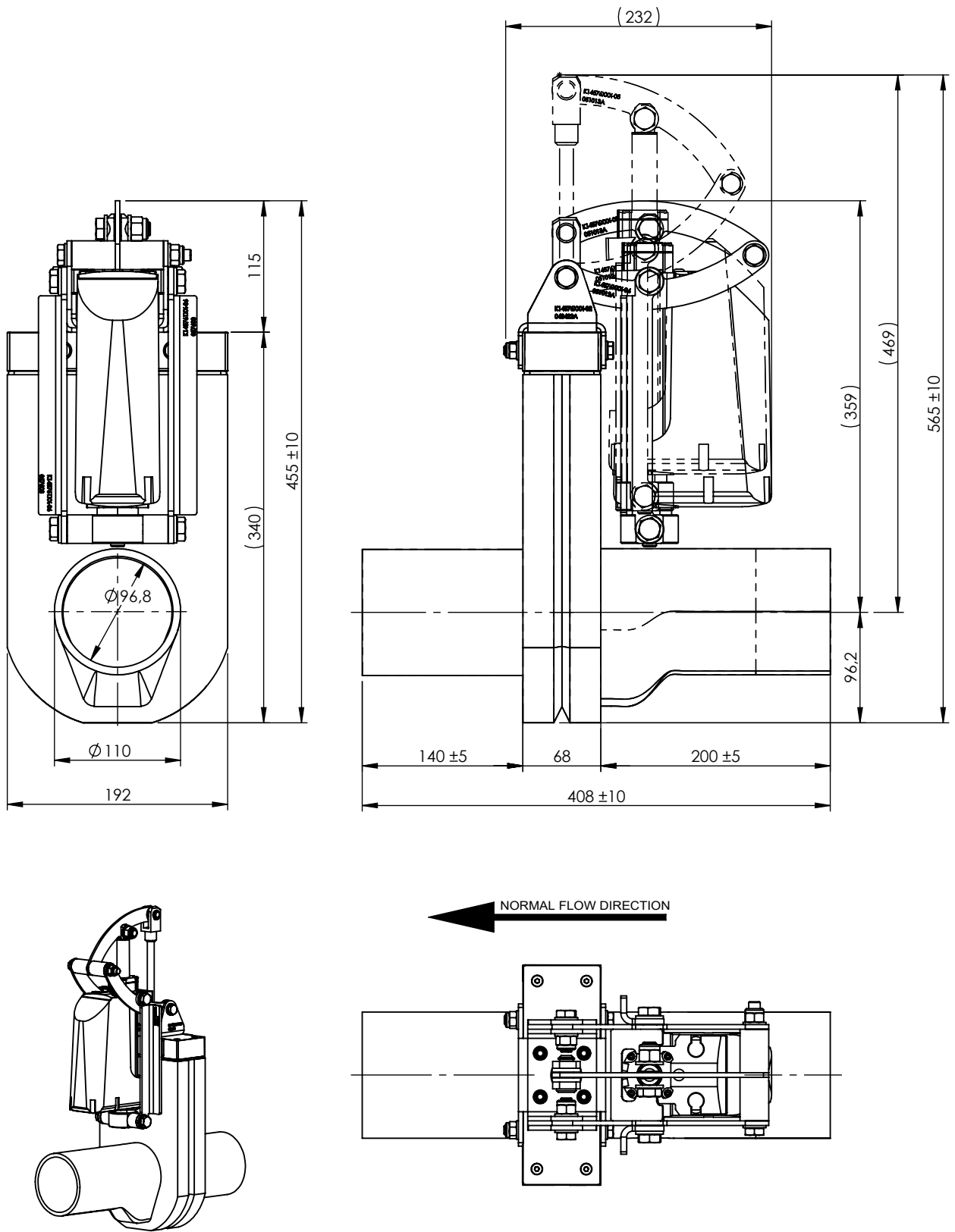


© 2021 Wapro AB. This document is subject to copyrights owned by Wapro AB. Any amendments, republication, retransmission, and/or reproduction of all or any part of the document is expressly prohibited, unless the copyright owner of the material has expressly granted its prior written consent. All other rights are reserved.



Designed By RI	Approved By	Created Date 2024-12-04	Units [mm]	General Tolerance	Scale 1:5	
Material Aisi316/ EN1.4404, PEHD, EPDM and other	Weight [kg] 10.1		Box Volume [m³]		Comment PN100445	Updated 02-01-2025
 www.wapro.com			Description WaGate Afspærringsventil SVL DN/OD 110 saks LA33			
			Description WaGate Gate Valve SVL DN/OD 110 AISI 316 scissors LA33			
Article Number V14576110		Drawing Number SVL Ø110_Linak_Scissors-EN		Rev A	Sheet 1 (1)	