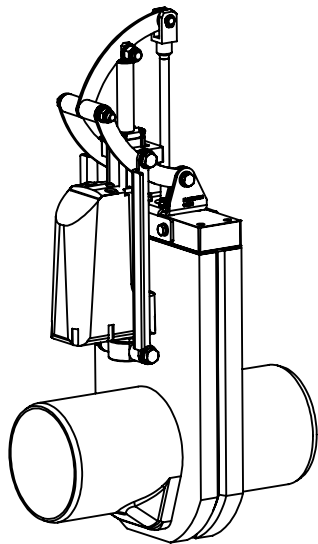
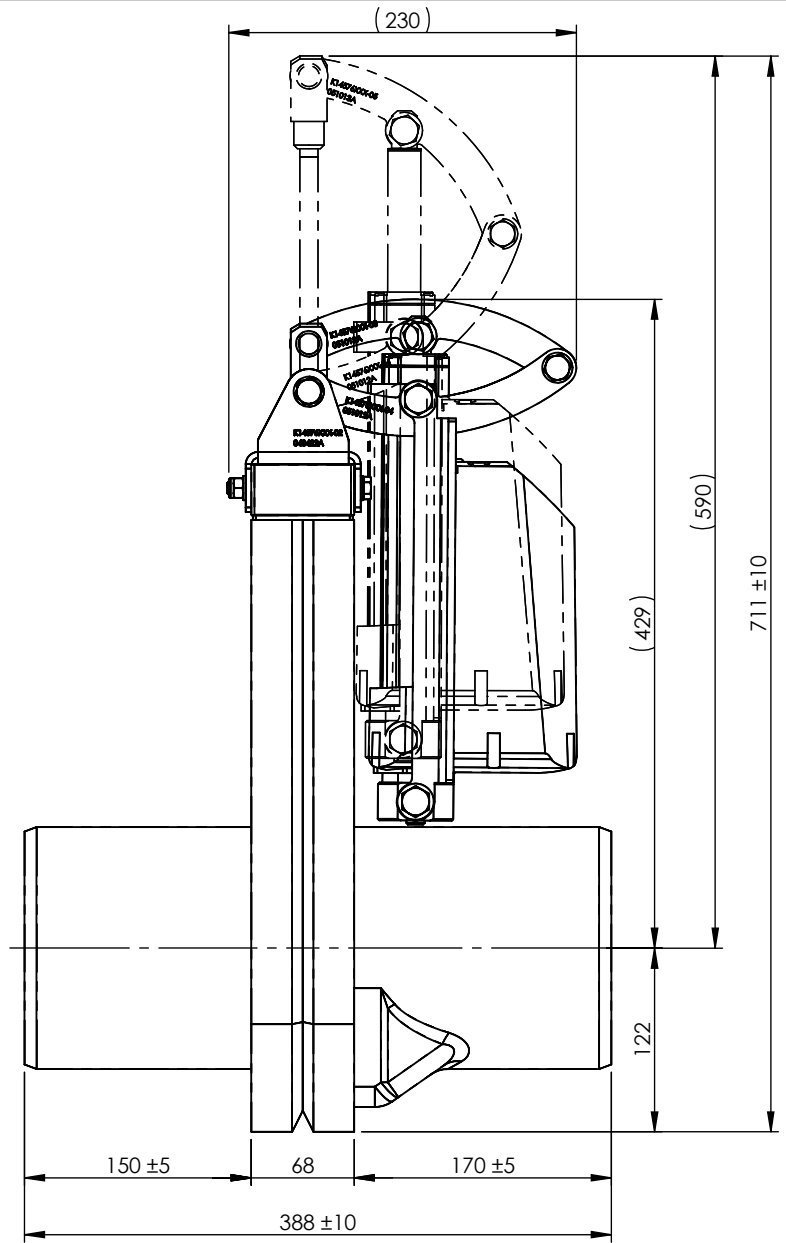
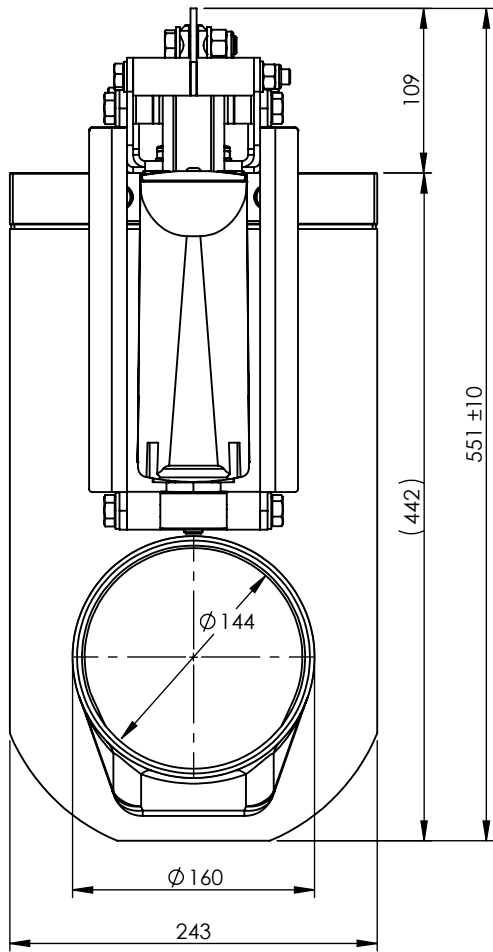
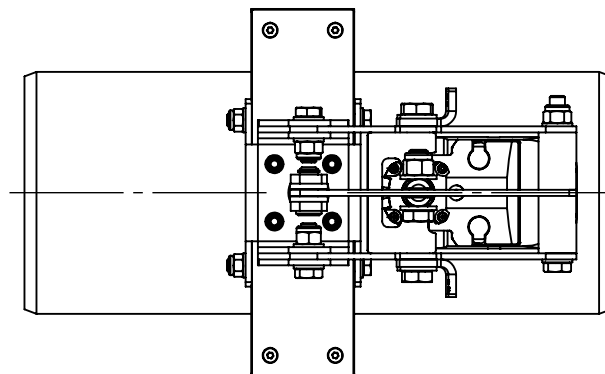


© 2021 Wapro AB. This document is subject to copyrights owned by Wapro AB. Any amendments, republication, retransmission, and/or reproduction of all or any part of the document is expressly prohibited, unless the copyright owner of the material has expressly granted its prior written consent. All other rights are reserved.



← NORMAL FLOW DIRECTION



Designed By <b>RI</b>	Approved By	Created Date <b>2024-12-06</b>	Units [mm]	General Tolerance	Scale 1:10	
Material <b>PEHD 100, PEHD 500, Aisi 316 and other</b>		Weight [kg] <b>13.5</b>	Box Volume [m³]	Comment <b>PN100445</b> Description <b>WaGate Afspærringsventil SVL DN/OD 160 saks LA33</b>		Updated <b>30-12-2024</b>
			Description <b>WaGate Gate Valve SVL DN/OD 160 AISI 316 scissors LA33</b>			
			Article Number <b>V14576160</b>	Drawing Number <b>SVL Ø160 Linak Scissors-EN</b>	Rev	Sheet <b>1 (1)</b>
www.wapro.com						