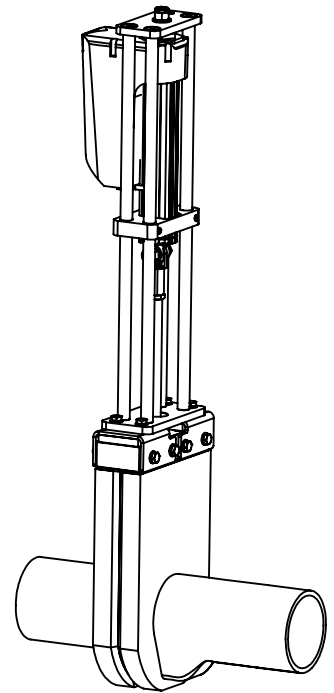
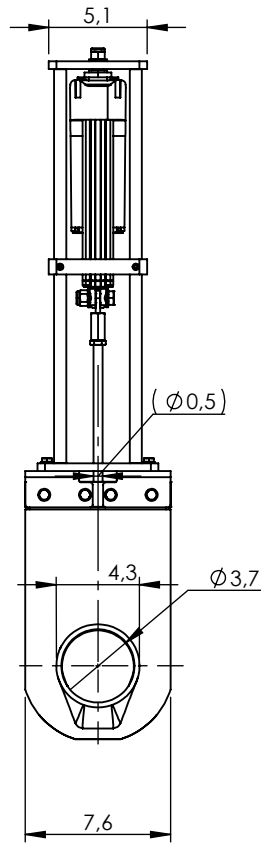
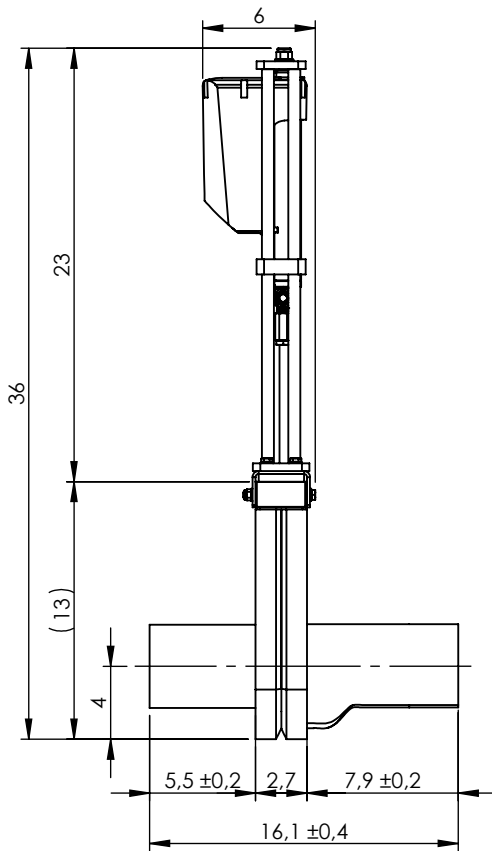


← NORMAL FLOW DIRECTION



© 2022 Wapro AB. This document is subject to copyrights owned by Wapro AB. Any amendments, republication, retransmission, and/or reproduction of all or any part of the document is expressly prohibited, unless the copyright owner of the material has expressly granted its prior written consent. All other rights are reserved.

Designed By RI	Approved By RM	Created Date 2024-02-07	Units [inch]	General Tolerance	Scale 1:10		
Material Aisi 316/ EN 1.4404, PEHD, EPDM and other			Comment			Updated 08-01-2025	
Weight [Lbs] 30		Box Volume [ft³]	Description WaGate Gate valve SVL NPS/OD 4 AISI 316 tower LA33 WaGate Gate Valve SVL DN/OD 110 AISI 316 tower LA33				
 www.wapro.com			Article Number V14476110	Drawing Number SVL Ø4 Linak_Tower-US	Rev A	Sheet 1 (1)	