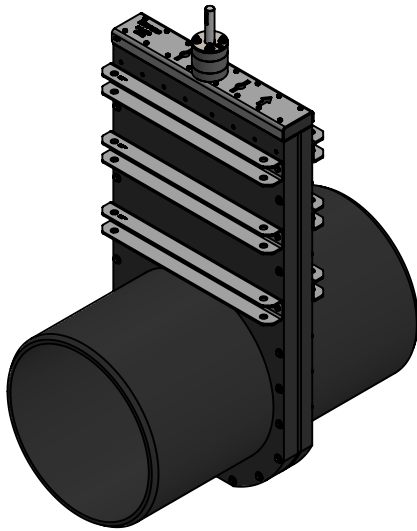
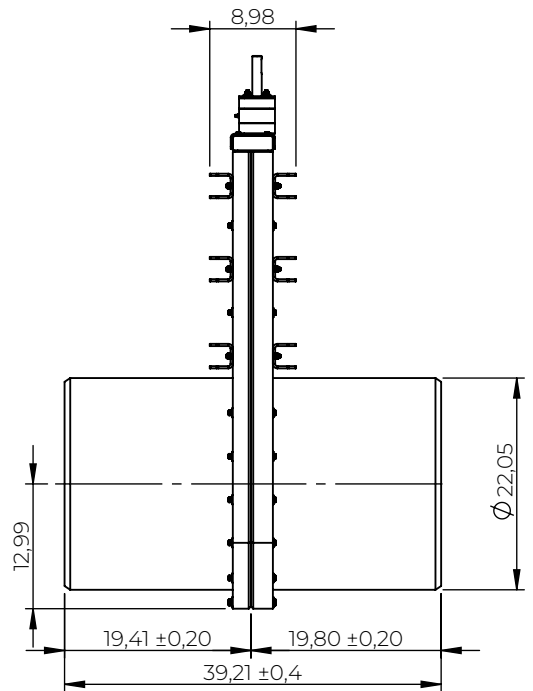


A-A



© 2022 Wapro AB. This document is subject to copyrights owned by Wapro AB. Any amendments, republication, retransmission, and/or reproduction of all or any part of the document is expressly prohibited, unless the copyright owner of the material has expressly granted its prior written consent. All other rights are reserved.

Designed By PW	Approved By	Created Date 2022-08-30	Units [inch]	General Tolerance	Scale 1:20	
Material			Comment			
Weight [Lbs] 342	Box Volume [ft ³]		Description WaGate Gate valve SVM-TG NPS/OD 22" AISI 316 WaGate Gate valve SVM-TG DN/OD 560 AISI 316			
 www.wapro.com			Article Number V70076560	Drawing Number svm-tg-Ø22_us	Rev	Sheet 1 (1)