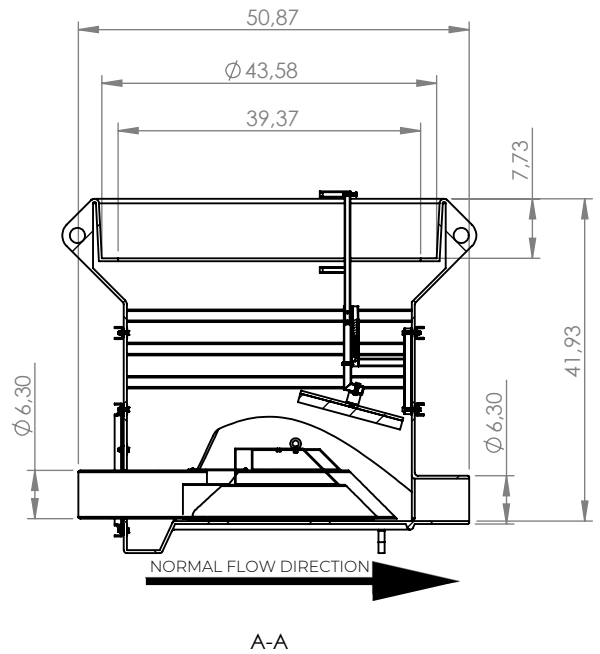
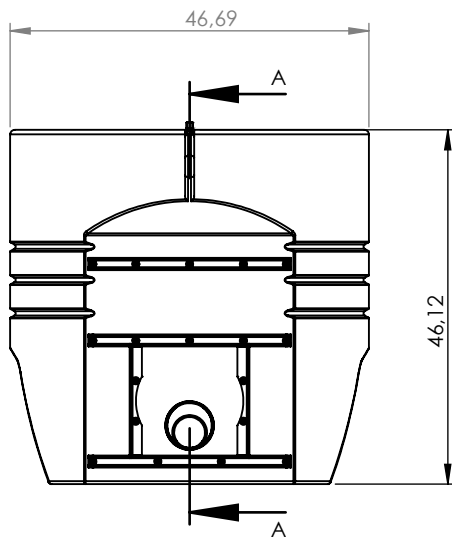
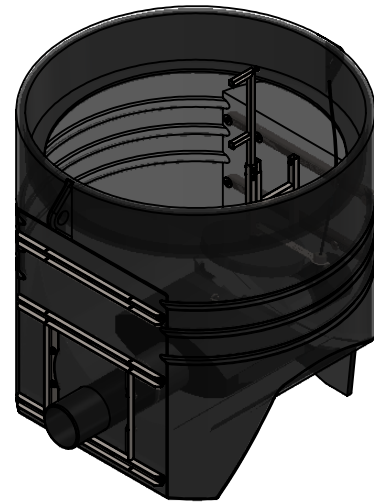
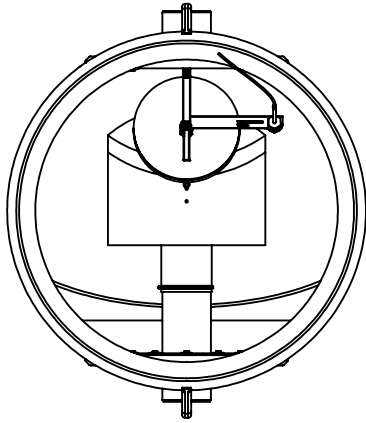


Rev	Note	CreatedBy	Appr.By	Appr.Date
A	Initial release	FG	AE	2020-10-19



© 2018 Wapro AB. This document is subject to copyrights owned by Wapro AB. Any amendments, republication, retransmission, and/or reproduction of all or any part of the document is expressly prohibited, unless the copyright owner of the material has expressly granted its prior written consent. All other rights are reserved.

Designed By FG	Approved By	Created Date 2020-10-19	Units [inch]	General Tolerance SS-ISO 2768-1 c	Scale 1:25	
Material PE, PVC, EN1.4301, MVQ	Weight [Lbs] 334	Box Volume [ft ³]	Description WaBack Access NPS 6" Large			
 www.wapro.com			Article Number WB160-WA1000	Drawing Number wb160-wa1000-us	Rev A	Sheet 1 (1)