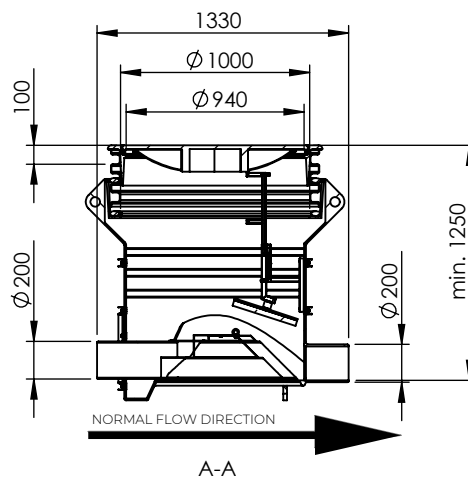
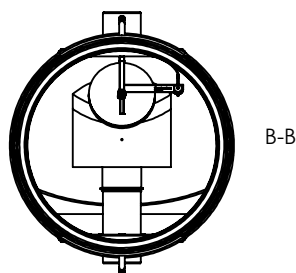
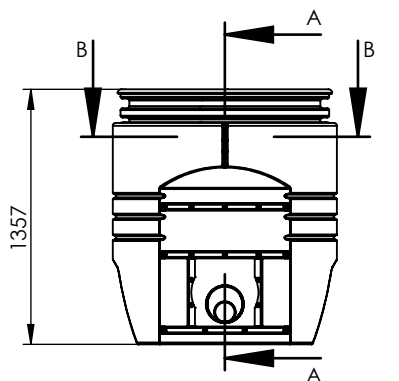
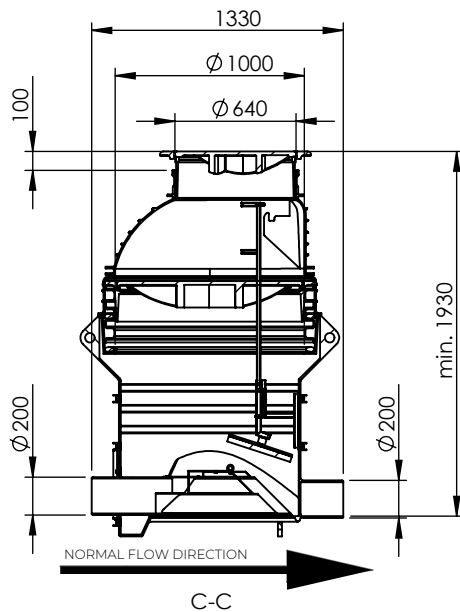
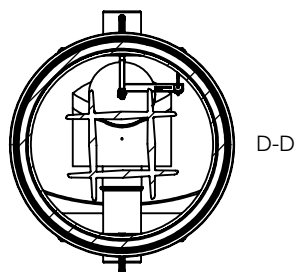
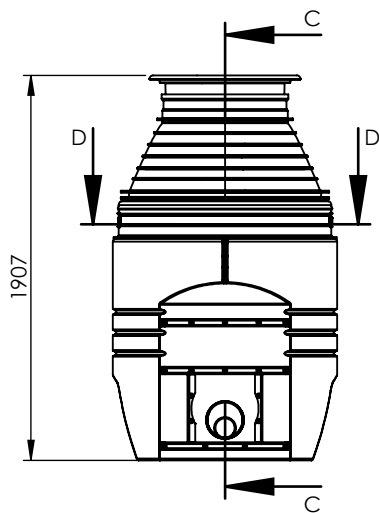


Rev	Note	CreatedBy	Appr.By	Appr.Date
A	Initial release	FG	PW	2021-03-09



Option 1:
 - DN1000 Corrugated pipe with cover
 - min. invert level - ground level 1250mm



Option 2:
 - DN1000 Corrugated pipe with cone and cover
 - min. invert level - ground level 1930mm

© 2018 Wapro AB. This document is subject to copyrights owned by Wapro AB. Any amendments, republication, retransmission, and/or reproduction of all or any part of the document is expressly prohibited, unless the copyright owner of the material has expressly granted its prior written consent. All other rights are reserved.

Designed By FG	Approved By	Created Date 2021-03-09	Units [mm]	General Tolerance SS-ISO 2768-1 c	Scale 1:40	
Material PE, PVC, EN1.4301, EPDM	Project		Comments			
Weight [kg] 428.1	Box Volume [m³]	Description WaBack Access DN200 Large				
 www.wapro.com		Corrugated pipe with cover alt. corrugated pipe with cone				
		Article Number WB200-WA1000	Drawing Number wb200-wa1000_en	Rev A	Sheet 1 (1)	