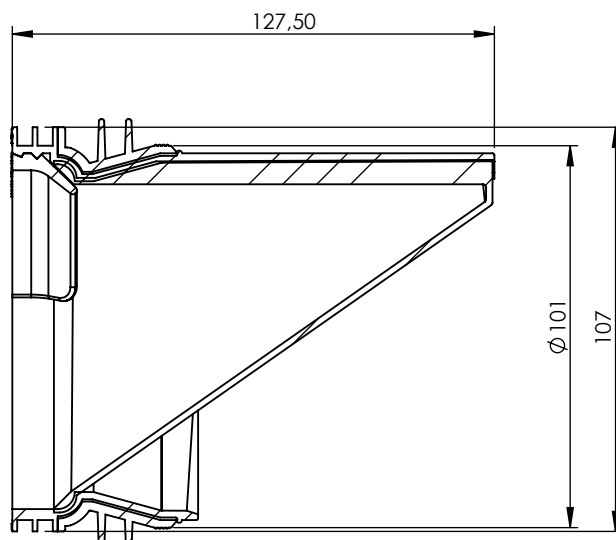
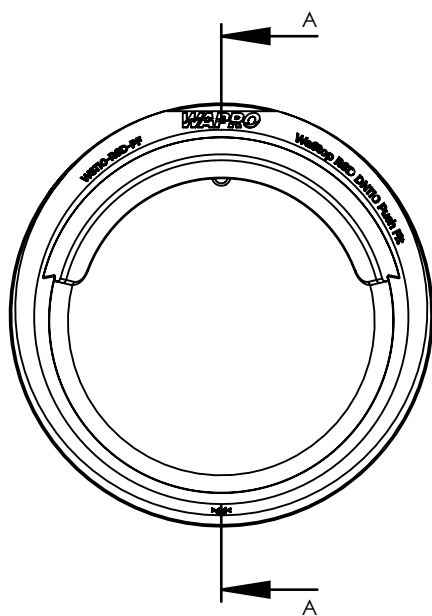
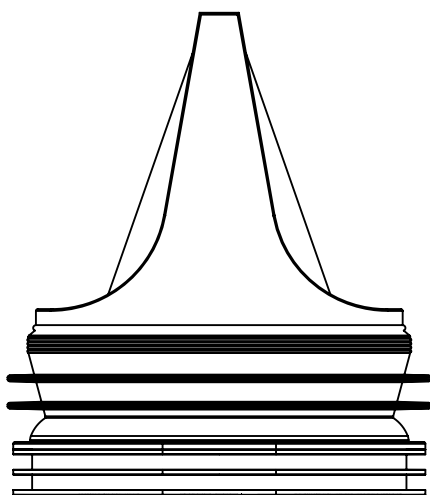


Rev	Note	CreatedBy	Appr.By	Appr.Date
A	Initial release	AE	PW	2019-10-28



A-A



© 2018 Wapro AB. This document is subject to copyrights owned by Wapro AB. Any amendments, republication, retransmission, and/or reproduction of all or any part of the document is expressly prohibited, unless the copyright owner of the material has expressly granted its prior written consent. All other rights are reserved.

Designed By PM	Approved By AE	Created Date 2017-12-04	Units [mm]	General Tolerance SS-ISO 2768-1 m	Scale 1:2	
Material PP, EPDM	Weight [kg] 0.09	Box Volume [m³]	Project	Description Wastop RSD DN110 Push Fit		
 www.wapro.com			Article Number WS110-RSD-PF	Drawing Number ws110-rs-pf-en	Rev A	Sheet 1 (1)