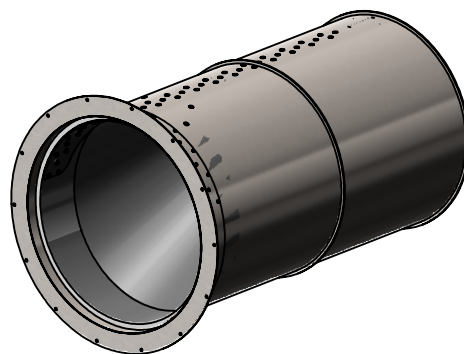
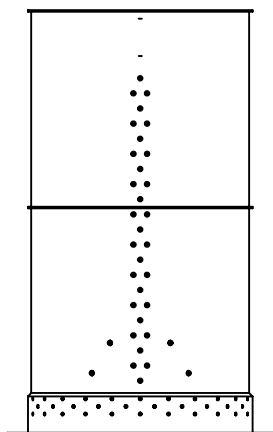
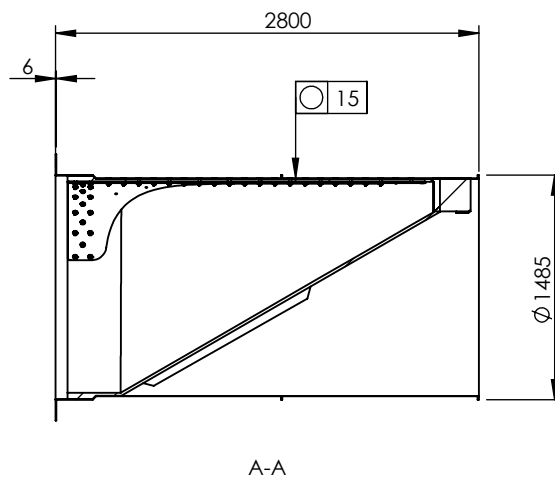
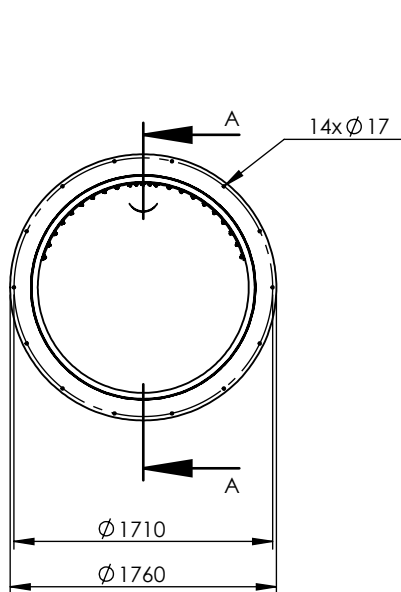


Rev	Note	CreatedBy	Appr.By	Appr.Date
A	Initial release		AE	2019-05-27



© 2018 Wapro AB. This document is subject to copyrights owned by Wapro AB. Any amendments, republication, retransmission, and/or reproduction of all or any part of the document is expressly prohibited, unless the copyright owner of the material has expressly granted its prior written consent. All other rights are reserved.

Designed By PM	Approved By PM	Created Date 2013-10-04	Units [mm]	General Tolerance ISO 13920A	Scale 1:50	
Material EN 1.4301 / EN 1.4404			Comments		Project	
Weight [kg] 580	Box Volume [m³] 9		Description WaStop DN1500 Flange outlet			
 www.wapro.com			Article Number WS1485-S-FL	Drawing Number ws1485-s-fl-en	Rev A	Sheet 1 (1)