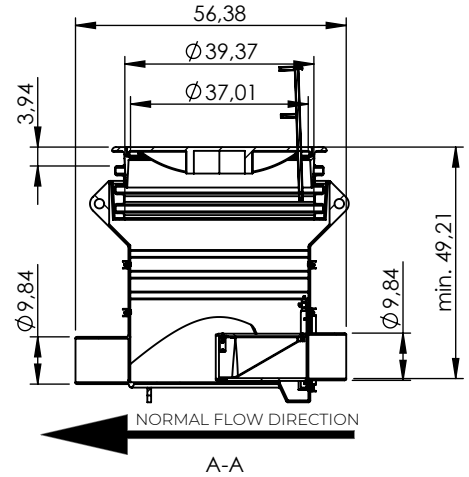
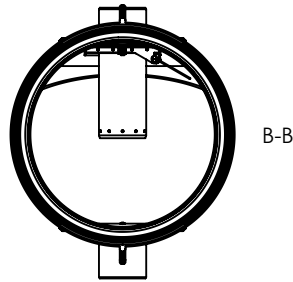
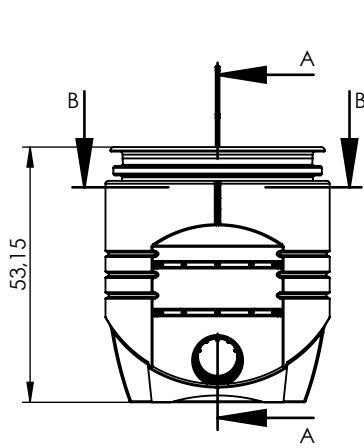
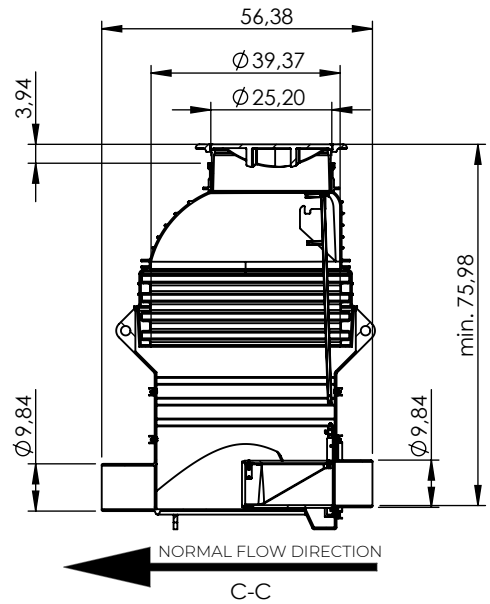
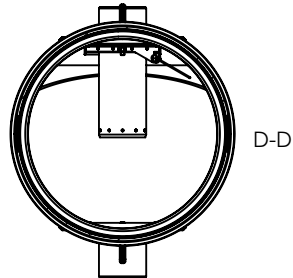
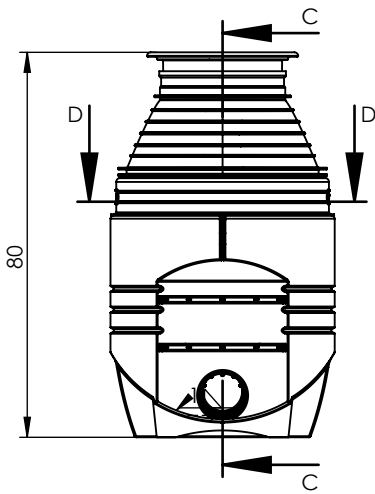


Rev	Note	CreatedBy	Appr.By	Appr.Date
A	Initial release	PW	FG	2022-03-03

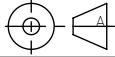



Option 1:
 - Corrugated shaft NPS40 with cover
 - min. invert to ground level 49,22"



Option 2:
 - Corrugated shaft NPS40 with cone & cover
 - min. invert to ground level 75,98"

© 2021 Wapro AB. This document is subject to copyrights owned by Wapro AB. Any amendments, republication, retransmission, and/or reproduction of all or any part of the document is expressly prohibited, unless the copyright owner of the material has expressly granted its prior written consent. All other rights are reserved.

Designed By PW	Approved By	Created Date 2022-03-03	Units [inch]	General Tolerance SS-ISO 2768-1 m	Scale 1:40	 Comments
Material PE, PVC, EN1.4301, MVQ			Project			
Weight [Lbs] 165.38	Box Volume [ft ³]		Description WaStop Access Large NPS 10 Corrugated shaft with cover or cone			
 www.wapro.com			Article Number WS250-WA1000-S	Drawing Number ws250-wa1000-us	Rev A	Sheet 1 (1)