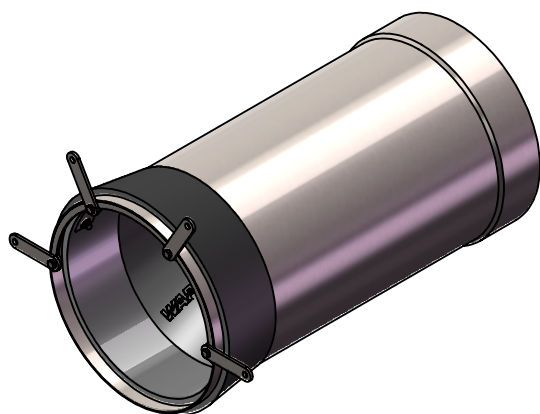
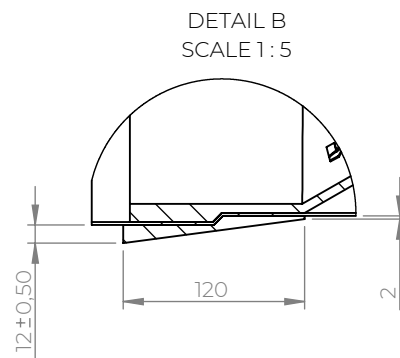
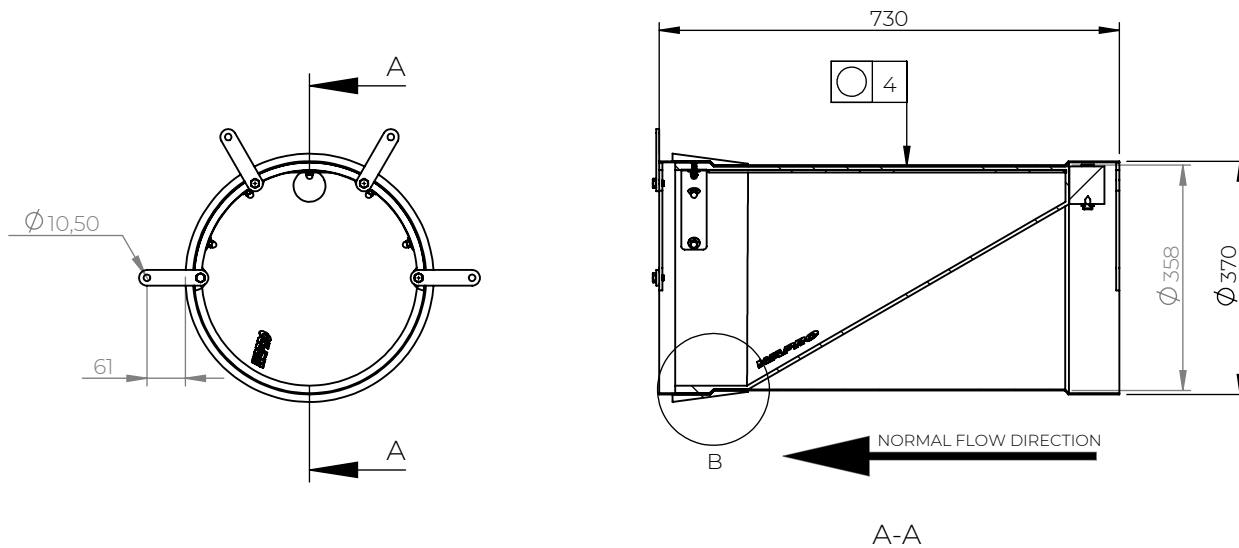


Rev	Note	CreatedBy	Appr.By	Appr.Date
A	Initial release	HE	AE	2019-12-10



© 2018 Wapro AB. This document is subject to copyrights owned by Wapro AB. Any amendments, republication, retransmission, and/or reproduction of all or any part of the document is expressly prohibited, unless the copyright owner of the material has expressly granted its prior written consent. All other rights are reserved.

Designed By HE	Approved By	Created Date 2012-03-27	Units [mm]	General Tolerance ISO 13920A	Scale 1:12	
Material AISI 316L / EN 1.4404			Project		Comments	
Weight [kg] 19.10		Box Volume [m³]		Description WaStop DN400		
 www.wapro.com			Article Number WS370-S		Drawing Number ws370-s-en	Rev A
					Sheet 1 (1)	