

SLUICE GATE - SPK TG DN 200-800

AREA OF USE: Sewer and stormwater, industrial facilities, process water and for the fishing and agricultural industry. SPK-TG seals from both sides.

ADVANTAGES WITH WAGATE SPK-TG:

- No welding of the frame and damper plate, which reduces the risk of corrosion, therefore longer operational life
- Built-in wedge system in the frame, ensuring 100% advancement of the damper plate against the gasket with sealing from two sides
- Encapsulated bearing and sliding parts built into a PEHD housing, thereby no degradation from the medium
- Non-rising spindle
- O-ring seal mounted in PEHD for possible replacement
- Square or circular opening with the possibility for a tight connection of pipe to the damper

OPERATION: Hand wheel. Can be used with electric, pneumatic, or hydraulic actuators.

SPECIAL DESIGN: Other pressure upon request. Spindle and nut above surface level (pedestal-mounted)

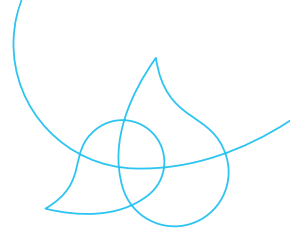


MATERIAL:

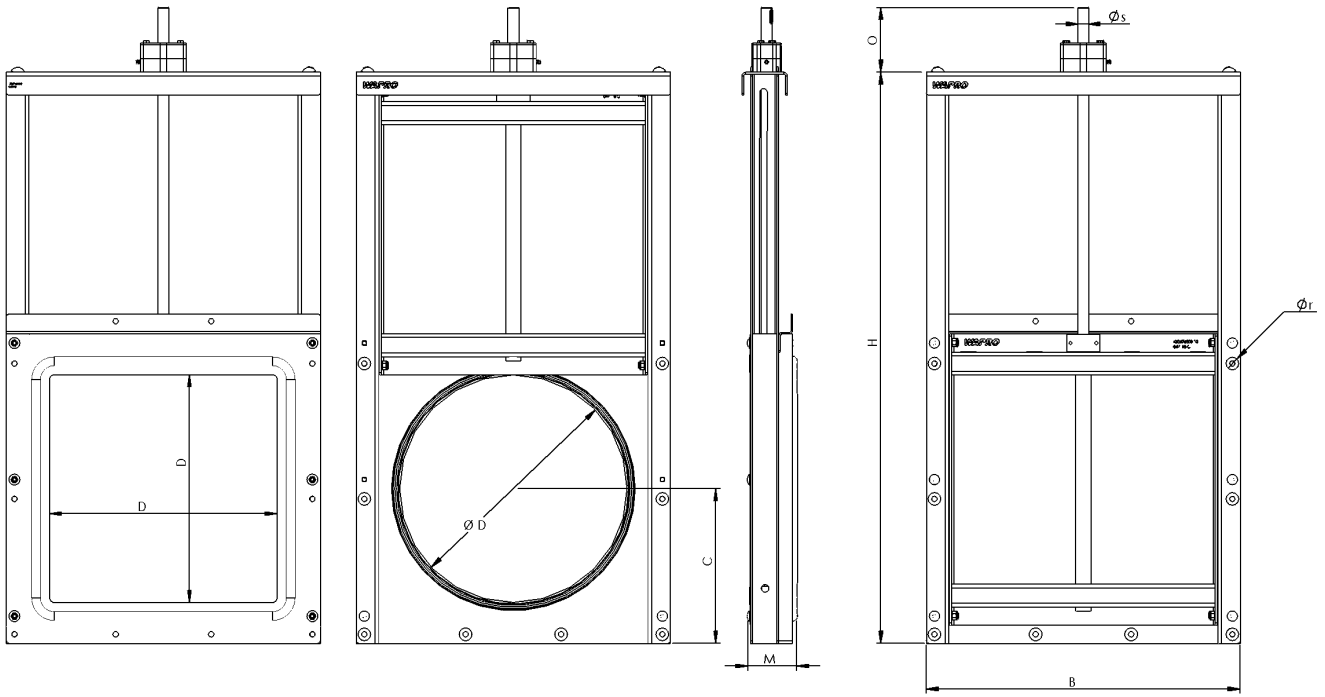
Frame	EN 1.4404 (EN 1.4462)
Damper plate	EN 1.4404 (EN 1.4462)
Back plate	PEHD
Spindle	EN 1.4571 (EN 1.4462)
Spindle nut	Tin bronze (Cu2Sn12)
Seal against the damper plate	EPDM
Seal against the wall	EPDM sponge rubber

TECHNICAL DATA:

Sealing according to	DIN 19569-4 Table 1
----------------------	---------------------



SLUICE GATE - SPK TG DN 200-800



DIMENSIONS IN [MM]

DN	D	B	C	H	M	ØR	O	ØS	NM	TURNS TO OPEN	WEIGHT [KG]	MVS
200	200	352	160	573	93	7xØ12	126	18	4	50	21	6
250	250	402	185	673	87	7xØ12	146	18	6	63	22	6
300	315	481	240	848	92	8xØ12	142	18	7	75	30	6
400	400	588	280	1016	110	8xØ12	143	18	9	100	40	6
500	500	690	340	1255	111	10xØ12	142	22	12	100	60	6
600	630	820	410	1516	132	13xØ12	135	22	19	120	85	5
700	710	910	450	1676	136	13xØ12	193	25	24	140	105	3
800	800	1000	495	1857	136	13xØ12	203	25	30	160	125	3

Other dimensions on request. Reserves the right to changes.