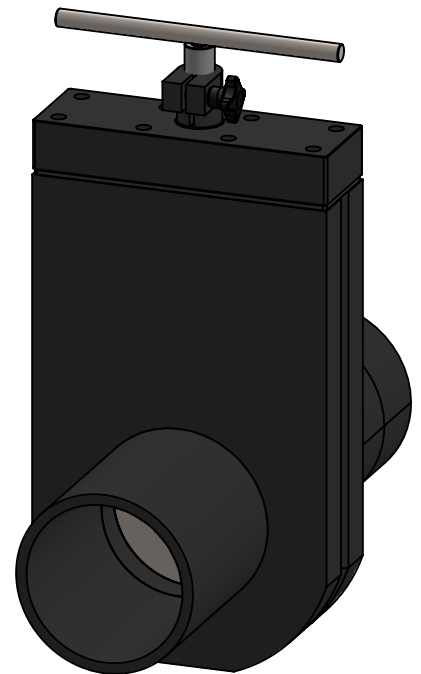
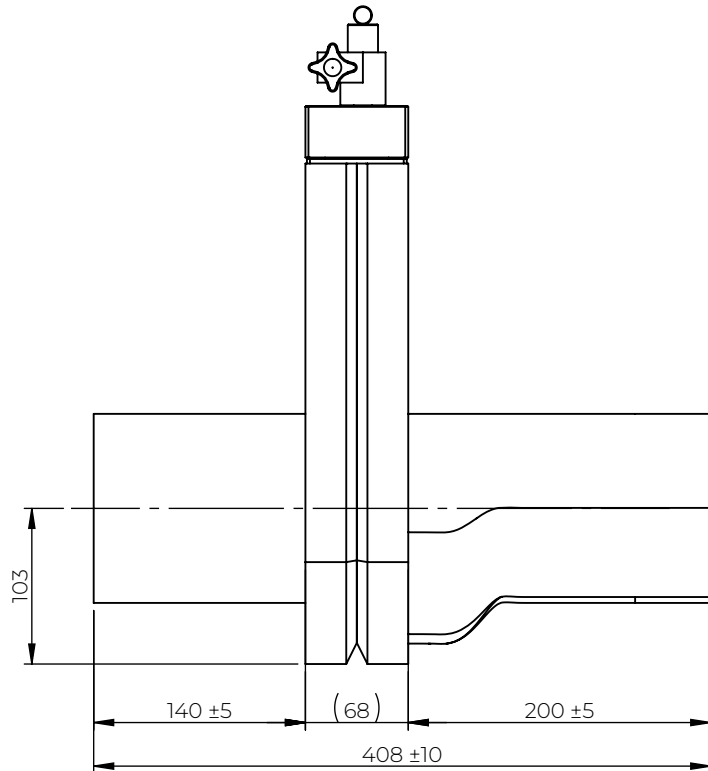
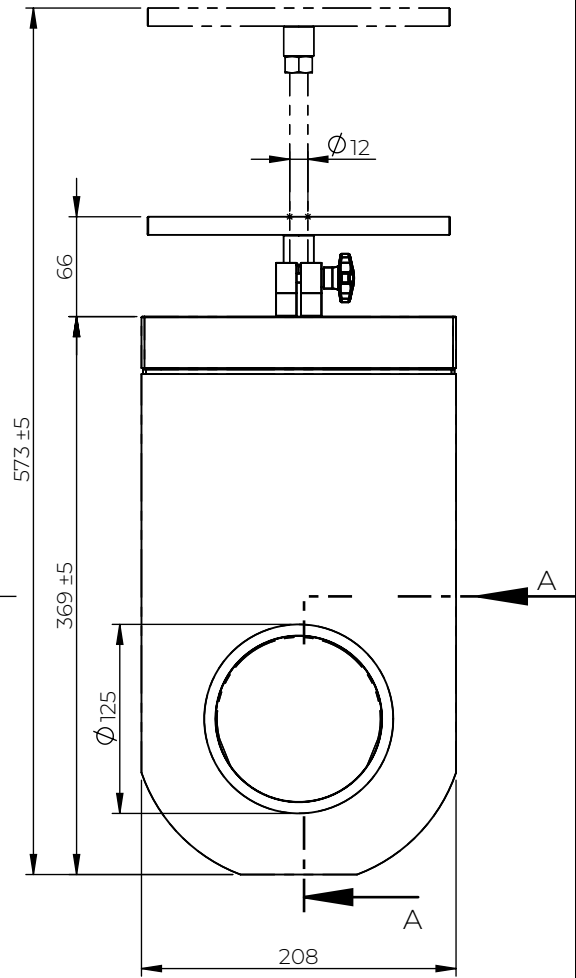
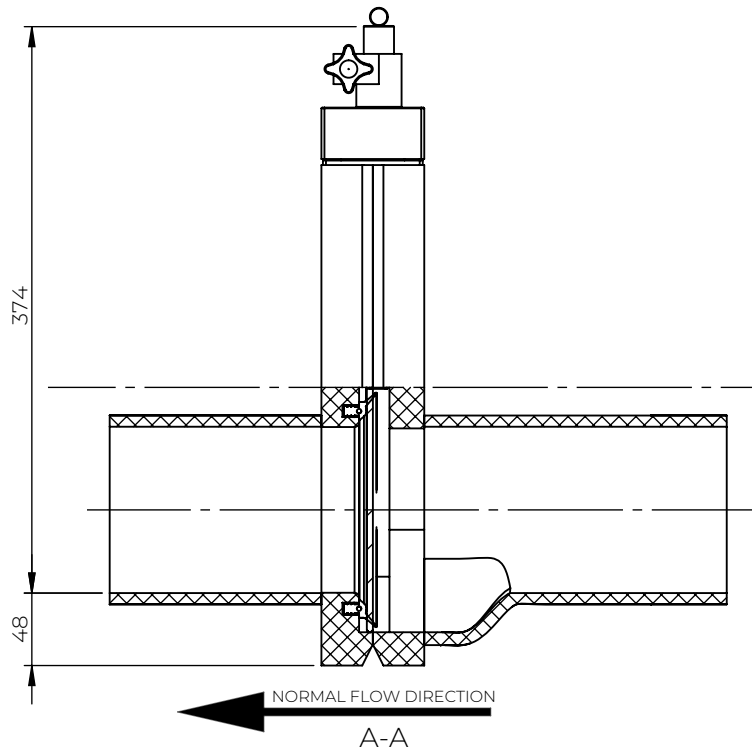


© 2021 Wapro AB. This document is subject to copyrights owned by Wapro AB. Any amendments, republication, retransmission, and/or reproduction of all or any part of the document is expressly prohibited, unless the copyright owner of the material has expressly granted its prior written consent. All other rights are reserved.



Designed By MS	Approved By	Created Date 2022-08-30	Units [mm]	General Tolerance	Scale 1:5	
Material			Comment PN100445		Updated 14-10-2024	
Weight [kg] 5.53		Box Volume [m³]	Description WaGate Afspærringsventil SVL DN/OD 125 AISI 316			
 www.wapro.com			Description WaGate Gate Valve SVL DN/OD 125 AISI 316			
			Article Number V13076125	Drawing Number SVL Ø125_EN	Rev A	Sheet 1 (1)