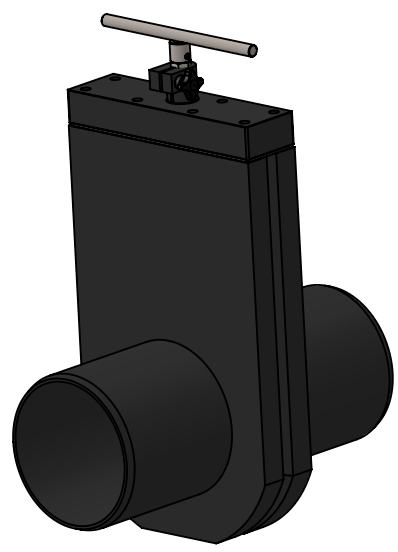
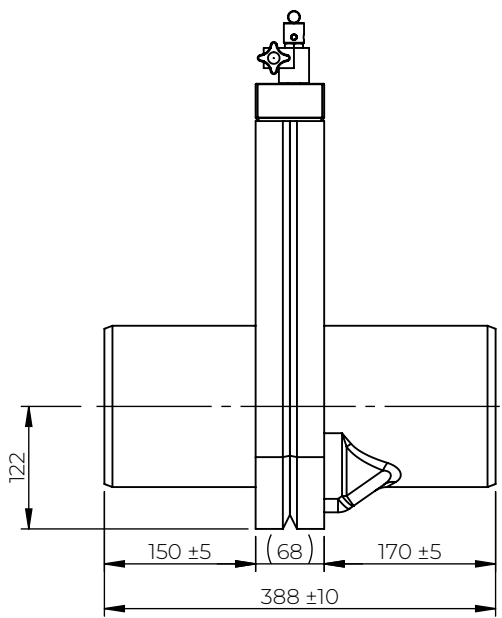
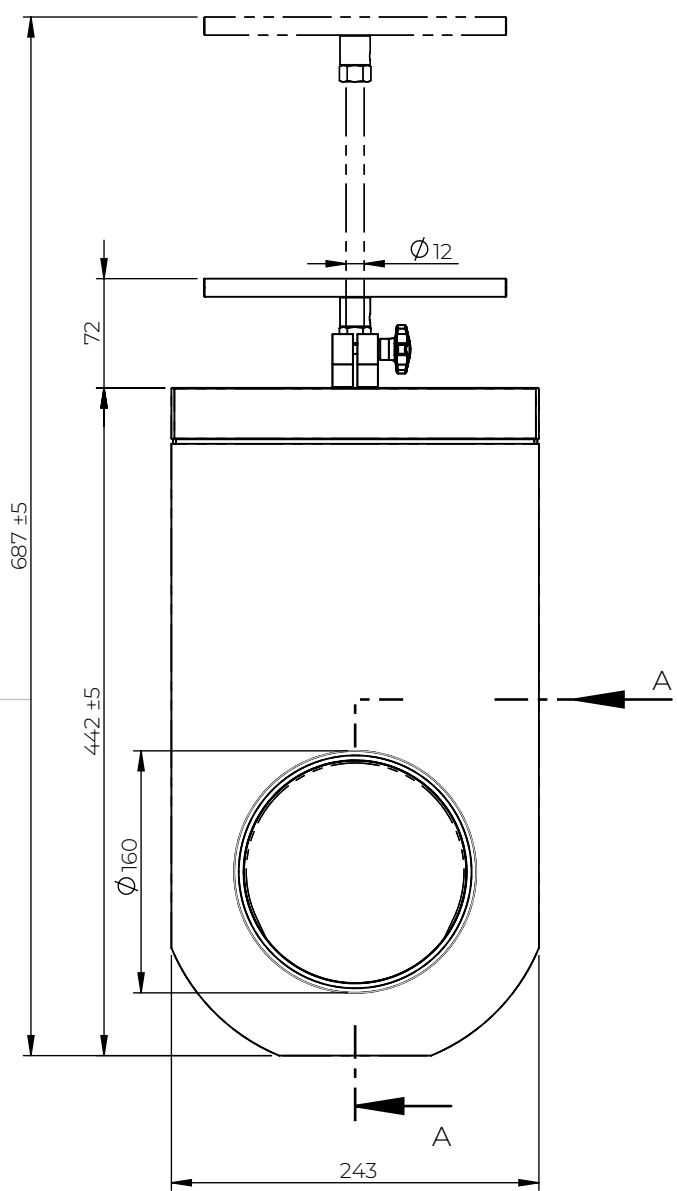
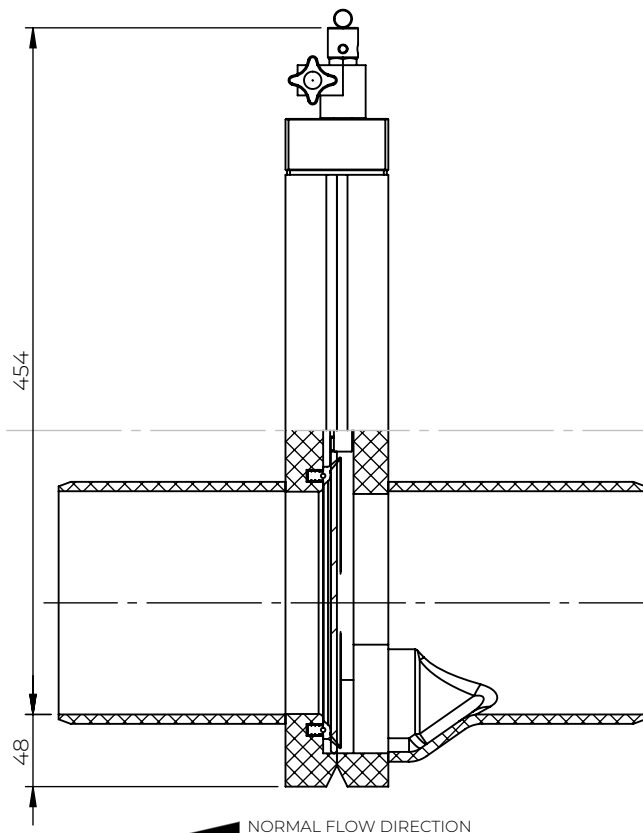


© 2021 Wapro AB. This document is subject to copyrights owned by Wapro AB. Any amendments, republication, retransmission, and/or reproduction of all or any part of the document is expressly prohibited, unless the copyright owner of the material has expressly granted its prior written consent. All other rights are reserved.



Designed By R1	Approved By	Created Date 2024-10-15	Units [mm]	General Tolerance	Scale 1:5		
Material			Comment				Updated 26-02-2025
Weight [kg] 7.10		Box Volume [m³]	Description WaGate Afspærringsventil SVL DN/OD 160 AISI 316 WaGate Gate Valve SVL DN/OD 160 AISI 316				
 www.wapro.com			Article Number V13076160	Drawing Number SVL Ø160_EN	Rev	Sheet 1 (1)	