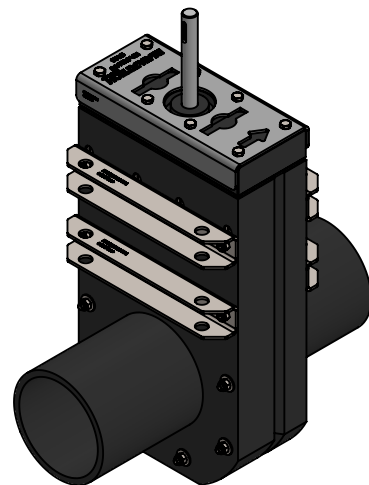
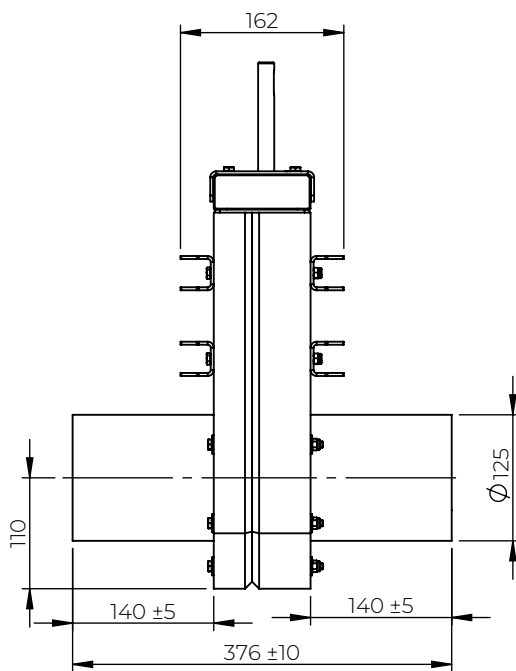
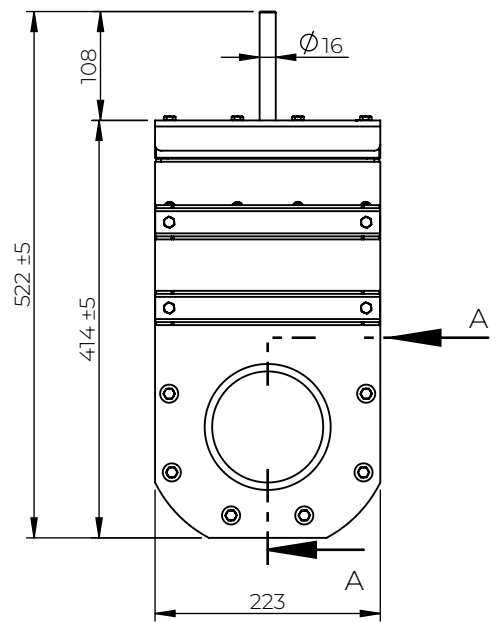
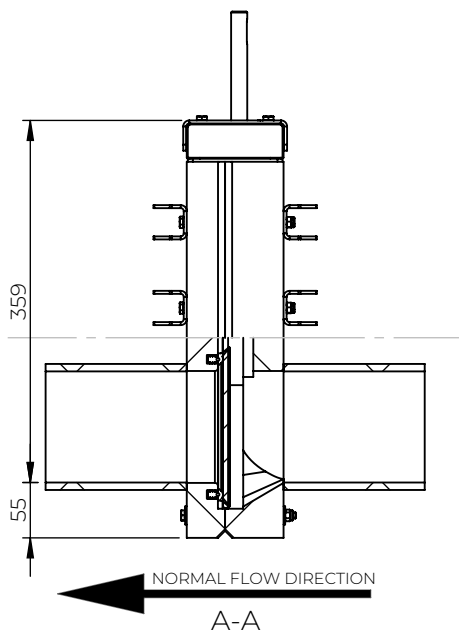


© 2021 Wapro AB. This document is subject to copyrights owned by Wapro AB. Any amendments, republication, retransmission, and/or reproduction of all or any part of the document is expressly prohibited, unless the copyright owner of the material has expressly granted its prior written consent. All other rights are reserved.



Designed By PW	Approved By	Created Date 2022-08-25	Units [mm]	General Tolerance	Scale 1:7.5	
Material	Comment PN100445			Updated 16-03-2025		
Weight [kg] 11.50	Box Volume [m³]		Description WaGate Afspærringsventil SVM-TG DN/OD 125 AISI 316			
 www.wapro.com			WaGate Gate valve SVM-TG DN/OD 125 AISI 316			
			Article Number V70076125	Drawing Number SVM-TG-Ø125_EN	Rev A	Sheet 1 (1)