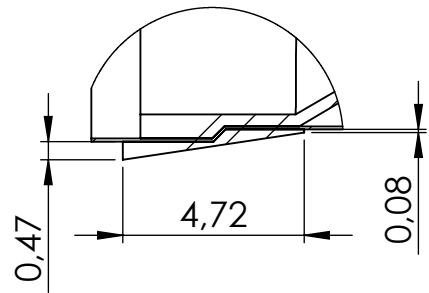
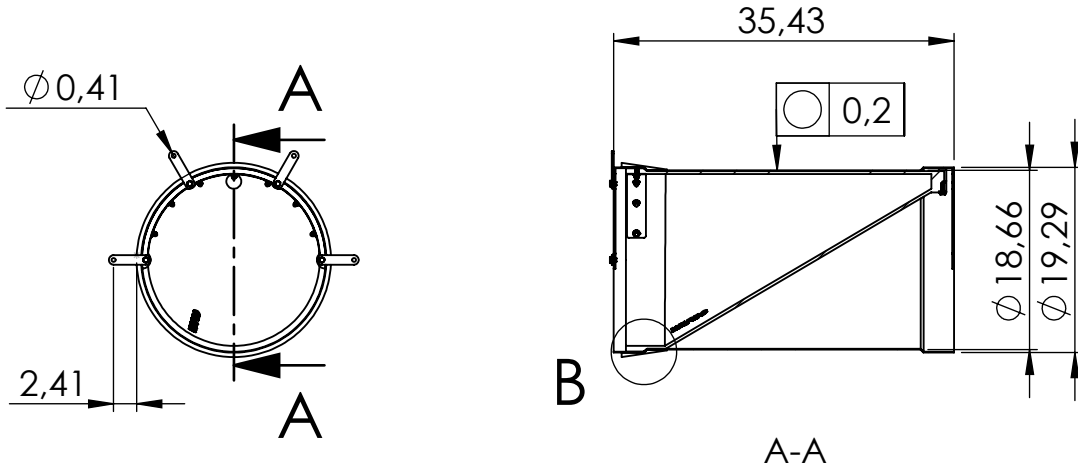
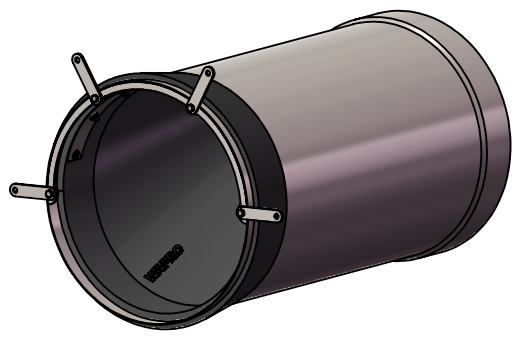


Rev	Note	CreatedBy	Appr.By	Appr.Date
A	Initial release		AE	2019-04-12



DETAIL B
SCALE 1:5



© 2018 Wapro AB. This document is subject to copyrights owned by Wapro AB. Any amendments, republication, retransmission, and/or reproduction of all or any part of the document is expressly prohibited, unless the copyright owner of the material has expressly granted its prior written consent. All other rights are reserved.

Designed By HE	Approved By	Created Date 2019-12-16	Units [inch]	General Tolerance ISO 13920A	Scale 1:20	
Material AISI 304 / AISI 316L		Box Volume [ft³] 7.8	Comments		Project	
Weight [Lbs] 71,05		Description WaStop NPS 20"				
 www.wapro.com			Article Number WS490-S	Drawing Number ws490-s-us	Rev A	Sheet 1 (1)