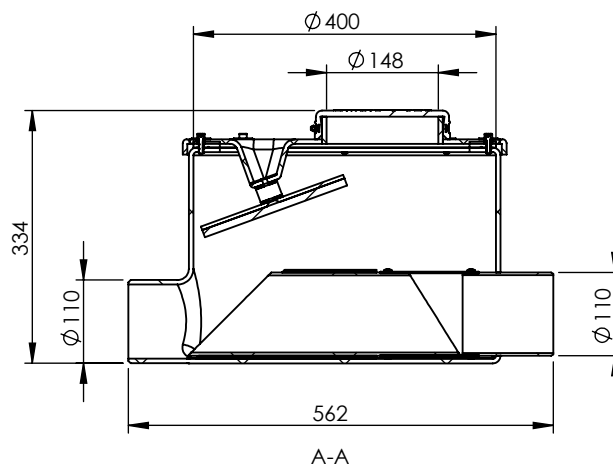
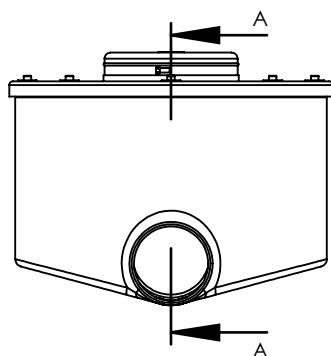


Rev	Note	CreatedBy	Appr.By	Appr.Date
A	Initial release	PW	AE	2020-09-17



© 2018 Wapro AB. This document is subject to copyrights owned by Wapro AB. Any amendments, republication, retransmission, and/or reproduction of all or any part of the document is expressly prohibited, unless the copyright owner of the material has expressly granted its prior written consent. All other rights are reserved.

Designed By PW	Approved By AE	Created Date 2020-09-17	Units [mm]	General Tolerance SS-ISO 2768-1 v	Scale 1:10	
Material PE, EN1.4301, EPDM			Project		Comments	
Weight [kg] 5.98		Box Volume [m³]		Description WaBack Residential DN110		
 www.wapro.com			Article Number WB110-RSD		Drawing Number 038088	Rev A
					Sheet 1 (1)	