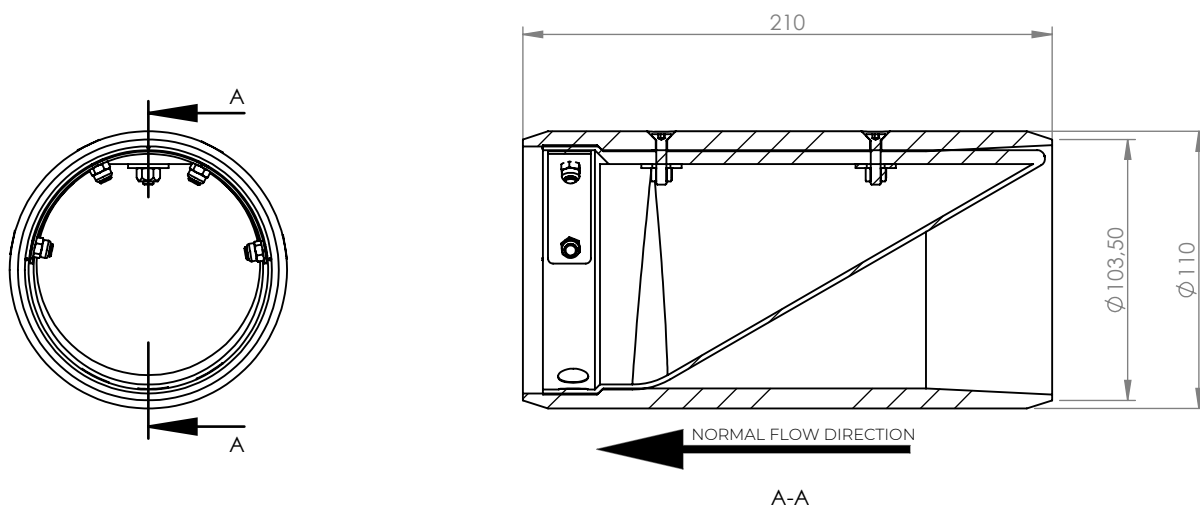


Rev	Note	CreatedBy	Appr.By	Appr.Date
A	Initial release	FG	PW	2020-08-06



© 2018 Wapro AB. This document is subject to copyrights owned by Wapro AB. Any amendments, republication, retransmission, and/or reproduction of all or any part of the document is expressly prohibited, unless the copyright owner of the material has expressly granted its prior written consent. All other rights are reserved.

Designed By PM	Approved By PW	Created Date 2015-07-03	Units [mm]	General Tolerance SS-ISO 2768-1 c	Scale 1:3	
Material PVC			Project		Comments	
Weight [kg] 0.54		Box Volume [m³] 0,024	Description WaStop 110 PVC			
 <a href="http://www.wapro.com">www.wapro.com</a>			Article Number WS110PVC-S	Drawing Number WS110PVC-S-en	Rev A	Sheet 1 (1)