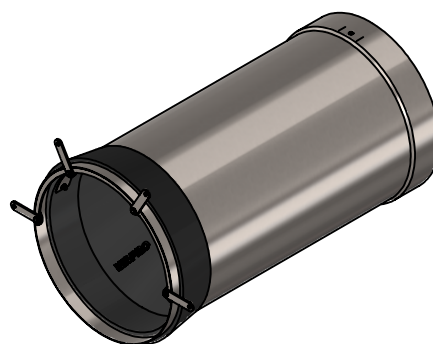
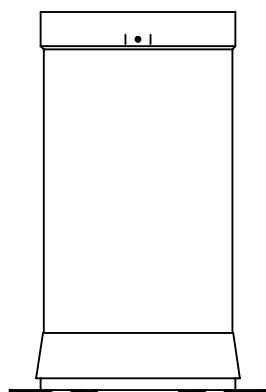
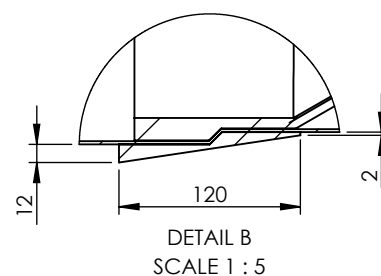
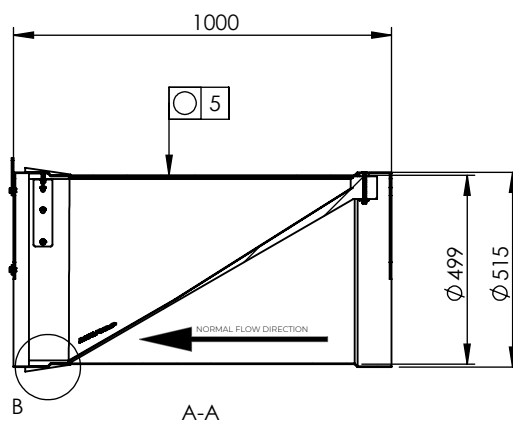
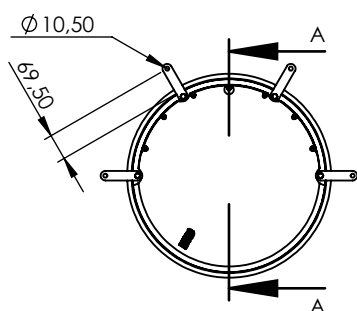



| Rev | Note | CreatedBy | Appr.By | Appr.Date |
|-----|-----------------|-----------|---------|------------|
| A | Initial release | PM | PW | 2021-05-31 |



© 2018 Wapro AB. This document is subject to copyrights owned by Wapro AB. Any amendments, republication, retransmission, and/or reproduction of all or any part of the document is expressly prohibited, unless the copyright owner of the material has expressly granted its prior written consent. All other rights are reserved.

| | | | | | | |
|---|-------------------|----------------------------|-----------------------------|---------------------------------|---------------|----------------|
| Designed By PM | Approved By PW | Created Date 2021-01-07 | Units [mm] | General Tolerance ISO 13920A | Scale 1:20 | |
| Material EN 1.4301/ EN 1.4404 | | | Project | | | Comments |
| Weight [kg] 37.4 | | Box Volume [m³] | Description WaStop DN525 | | | |
|  www.wapro.com | | | Article Number WS515-S | Drawing Number ws515-s-en | Rev A | Sheet 1 (1) |